

RIM JOIST REQUIREMENTS

Attach a continuous rim joist to the ends of joists as shown in FIGURE 18. Please note: rim joists are required at both ends of joists associated with free-standing decks. Minimum rim joist dimensions shall be equal to the dimensions of the joist.

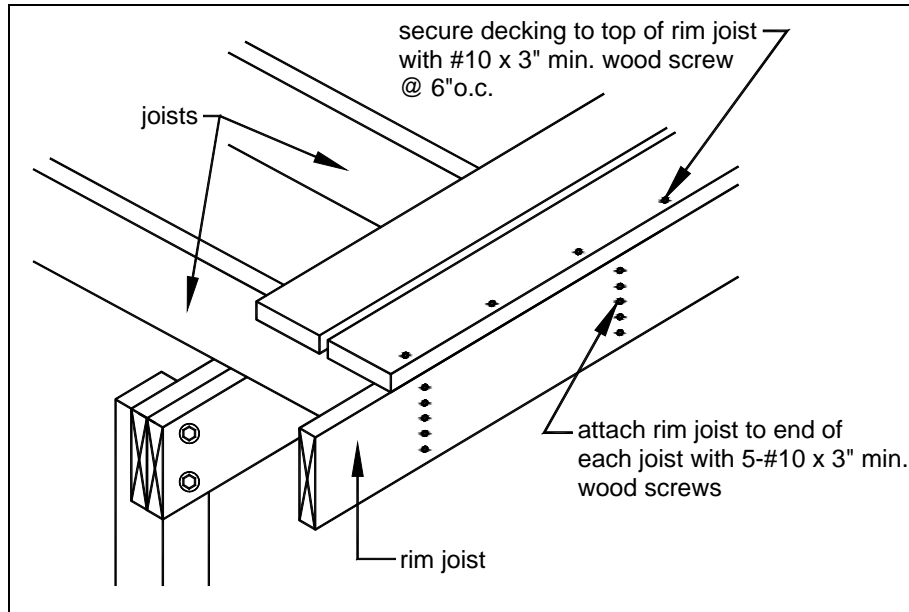


FIGURE 18: RIM JOIST CONNECTION DETAILS

BUILT-UP BEAM REQUIREMENTS

Built-up beams shall be assembled in accordance with FIGURE 19. The nailing pattern shall be staggered as shown.

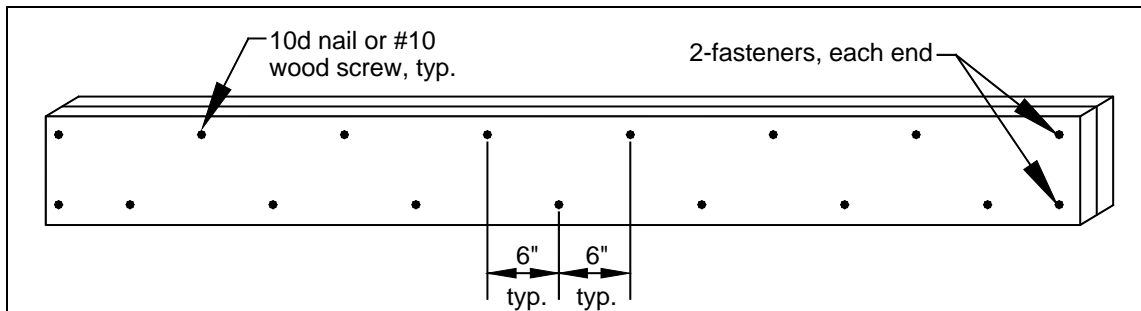
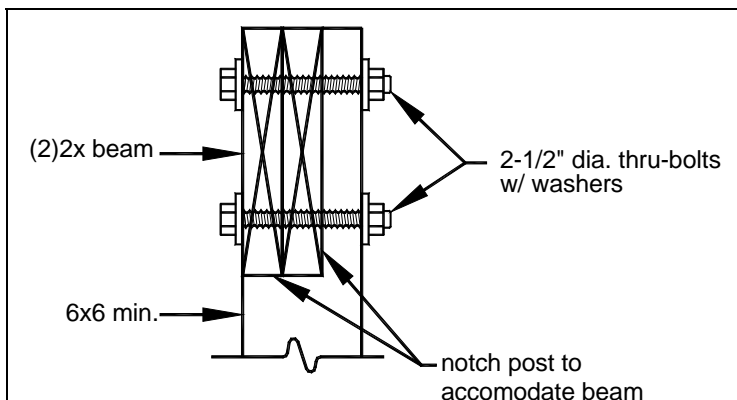


FIGURE 19: BUILT-UP BEAM DETAIL

POST-TO-BEAM REQUIREMENTS

The post-to-beam connection may be accomplished by notching the 6x6 post as shown in FIGURE 20. All thru-bolts shall have washers at the bolt head and nut. All post sizes shall be 6x6, and the maximum height shall be 14'-0".



**Gloucester
County**

Typical Deck Details
Based on the 2012 Virginia Uniform
Statewide Building Code

Revised: 12/30/2015

Sheet 10 of 16

FIGURE 20: POST-TO-BEAM REQUIREMENTS

FOOTINGS

See FIGURE 21 for footing size, footing thickness and post attachment options and requirements. All footings shall bear on solid ground; bearing conditions shall be verified in the field by County inspectors prior to placement of concrete. Footings closer than 5'-0" to the existing exterior house wall must bear at the same elevation as the existing wall footing. **Do not construct footings over utility lines or enclosed meters. Call Miss Utility at 1-800-552-7001 before you dig.**

Pre-manufactured post anchors shall be galvanized with 1.85 oz/sf of zinc (G-185 coating) or shall be stainless steel.

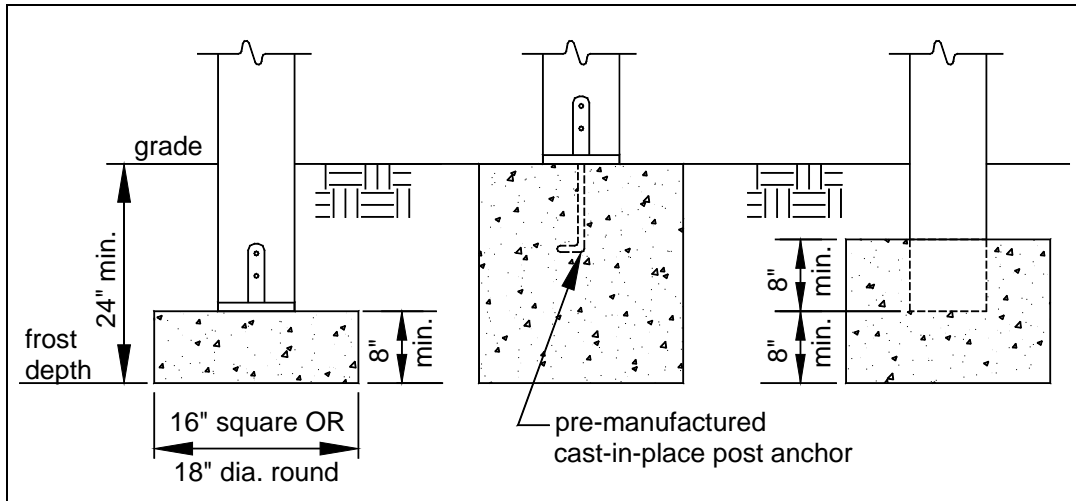


FIGURE 21: TYPICAL FOOTING DETAILS

GUARD REQUIREMENTS

Decks less than 30" above grade are not required to have a guard; however, if one is installed, it must meet these requirements. All guards shall be constructed in strict conformance with figures herein; any deviations require a plan submission.

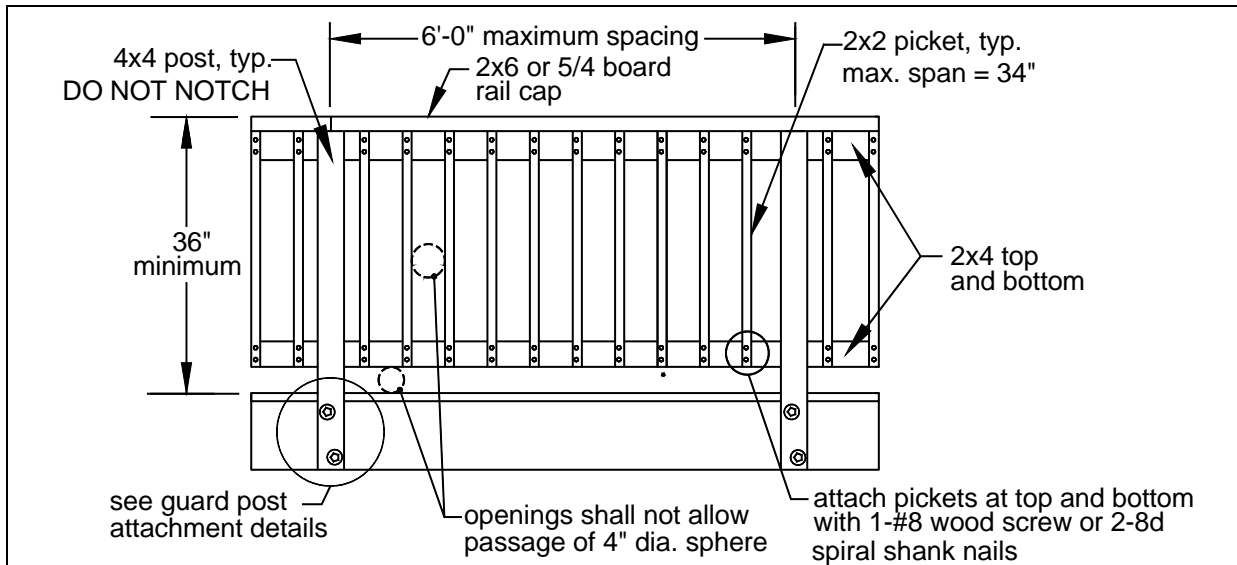


FIGURE 22: TYPICAL GUARD DETAIL



**Gloucester
County**

Typical Deck Details
Based on the 2012 Virginia Uniform
Statewide Building Code

Any pre-fabricated wood, plastic or manufactured guard system purchased from a home center store, lumber company or similar will also require a plan submission. The rail cap is designed to withstand a concentrated load of 200 LBS anywhere along its length; the infill area is designed to withstand a horizontal load of 50 LBS on a square foot area.

GUARD POST ATTACHMENT: Guard posts shall be spaced per FIGURE 22 and attached per FIGURE 23 through FIGURE 26.

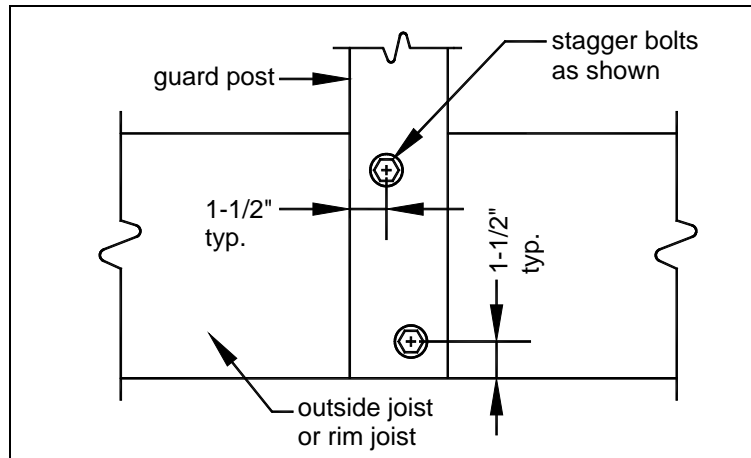


FIGURE 23: GUARD POST ATTACHMENT DETAIL

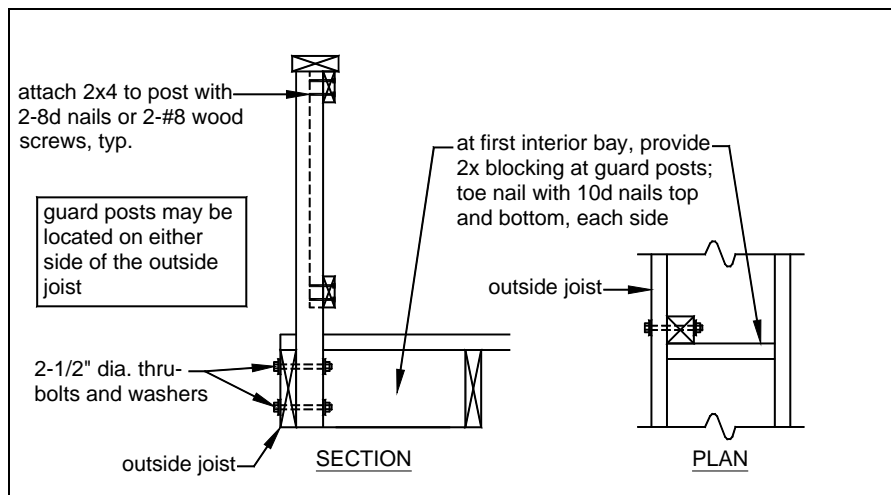


FIGURE 24: GUARD POST TO OUTSIDE JOIST DETAIL



**Gloucester
County**

Typical Deck Details
Based on the 2012 Virginia Uniform
Statewide Building Code

Revised: 12/30/2015

Sheet 12 of 16

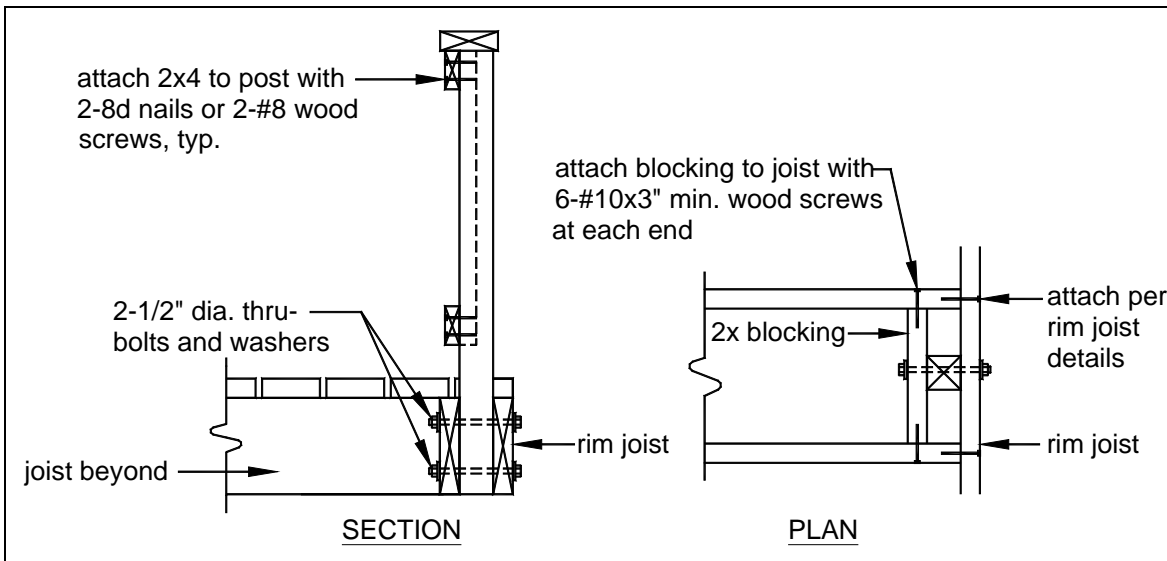


FIGURE 25: GUARD POST TO RIM JOIST DETAIL, OPTION 1

As shown in FIGURE 26, guard posts may be attached to the outside face of the rim joist. However, in this condition, and in addition to the attachment requirements shown in FIGURE 18, the rim joist must be fastened to the next adjacent joists with 20 gage. *stud tie plates* attached per the manufacturer's instructions with hot-dipped galvanized or stainless steel fasteners. Stud tie plates must be galvanized with 1.85 oz/sf of zinc (G-185 coating) or shall be stainless steel. Look for model number SP1 in a Zmax coating from Simpson Strong-Tie or model number SPT22 in a Triple Zinc coating from USP. **If you are unable to use *stud tie plates* in this condition, you must follow the requirements of FIGURE 25.**

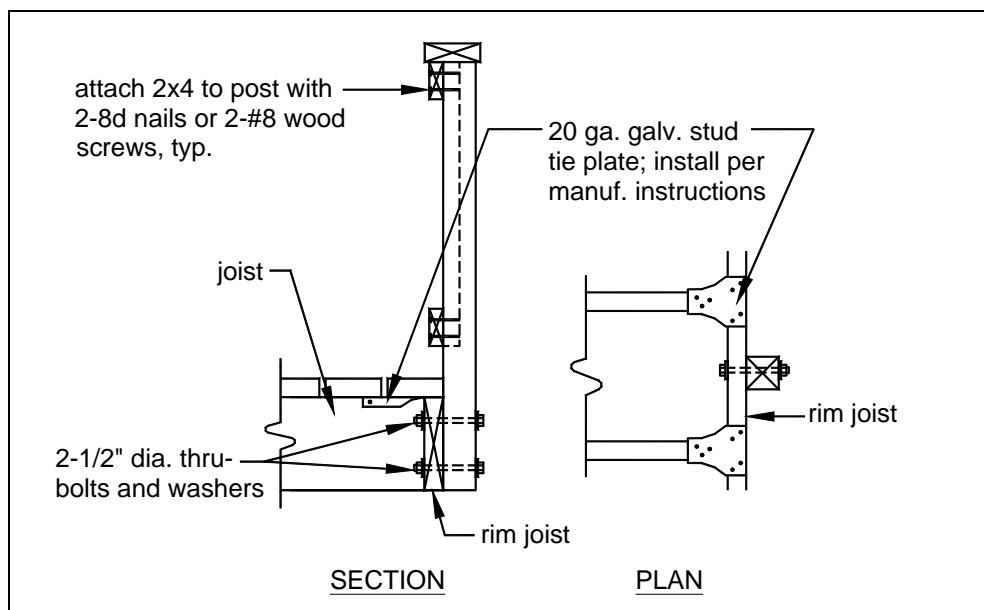


FIGURE 26: GUARD POST TO RIM JOIST DETAIL, OPTION 2



**Gloucester
County**

Typical Deck Details
Based on the 2012 Virginia Uniform
Statewide Building Code

STAIR REQUIREMENTS

Stairs, stair stringers, and stair guard shall meet the requirements shown in FIGURE 27 through FIGURE 33. All stringers shall be 2x12.

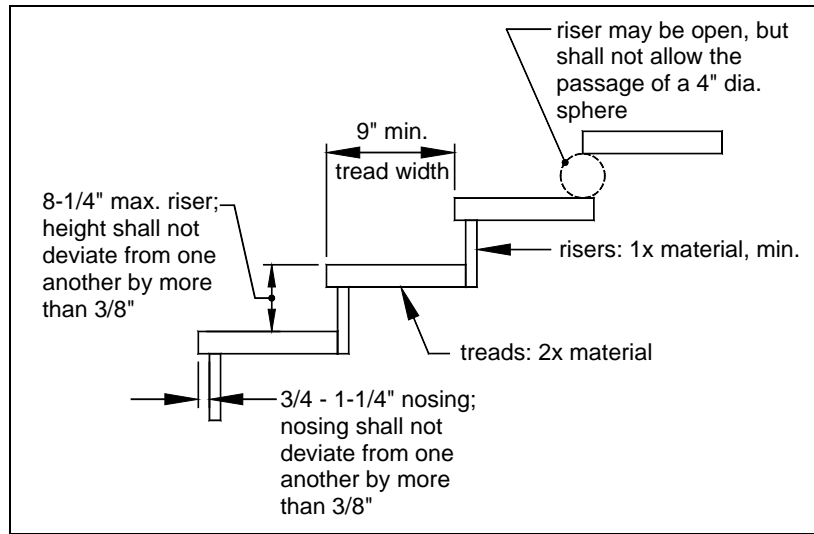


FIGURE 27: TREAD AND RISER DETAIL

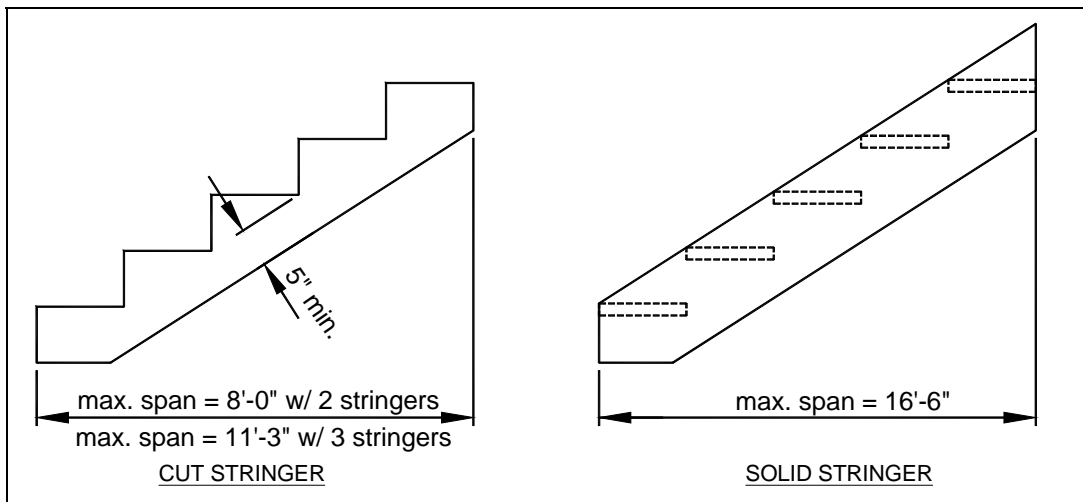


FIGURE 28: STAIR STRINGER REQUIREMENTS

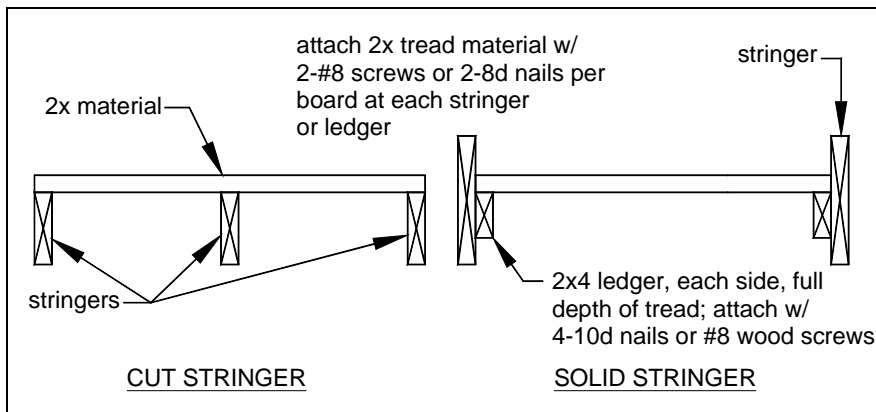


FIGURE 29: TREAD CONNECTION REQUIREMENTS



**Gloucester
County**

Typical Deck Details
Based on the 2012 Virginia Uniform
Statewide Building Code

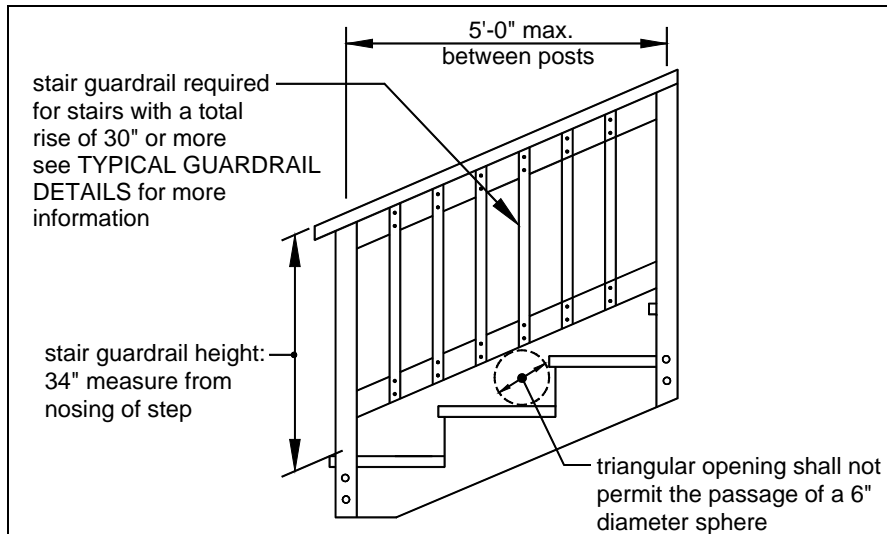


FIGURE 30: STAIR GUARD REQUIREMENTS

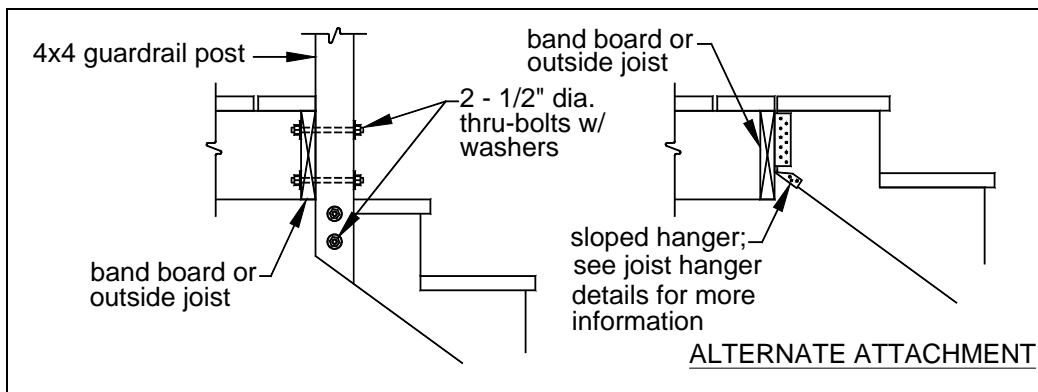


FIGURE 31: STAIR STRINGER CONNECTION DETAIL

STAIR HANDRAIL REQUIREMENTS

All stairs with 2 or more risers shall have a handrail on one side. Handrails shall be graspable and shall be composed of decay-resistant and/or corrosion resistant material. The hand grip portion, if circular, shall be between 1-1/4" and 2-1/4" in cross section. Shapes other than circular shall have a perimeter dimension between 4" and 6-1/4" with a maximum cross sectional dimension of 2-1/4". All shapes shall have a smooth surface with no sharp corners. Handrails shall run continuously from a point directly over the lowest riser to a point directly over the highest riser and shall return to the guard at each end; see FIGURE 33. Handrails may be interrupted at guards posts only at a turn in the stair. See FIGURE 32.

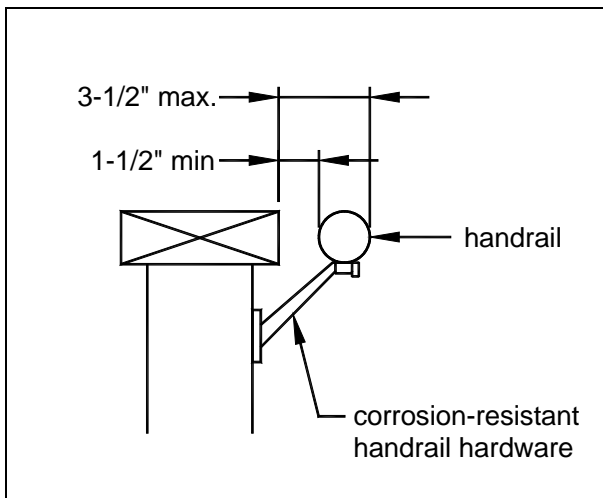


FIGURE 32: HANDRAIL REQUIREMENTS



**Gloucester
County**

Typical Deck Details
Based on the 2012 Virginia Uniform
Statewide Building Code

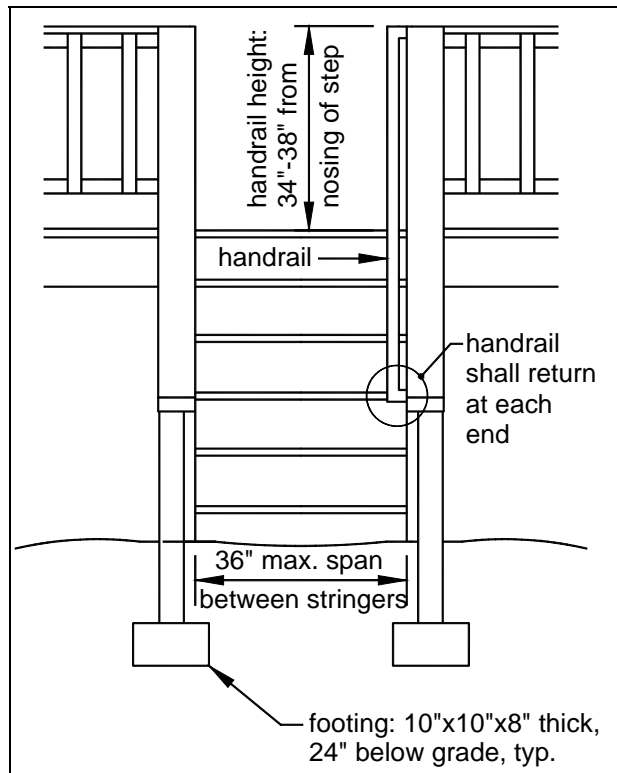


FIGURE 33: MISCELLANEOUS STAIR REQUIREMENTS

STAIR ILLUMINATION REQUIREMENTS

Stairways shall have a light source located at the top landing such that all stairs and landings are illuminated. The light switch shall be operated from inside the house.

FRAMING AT CHIMNEY OR BAY WINDOW

All members at a chimney or bay window shall be framed in accordance with FIGURE 34. Headers with a span length greater than 6'-0" require a plan submission.

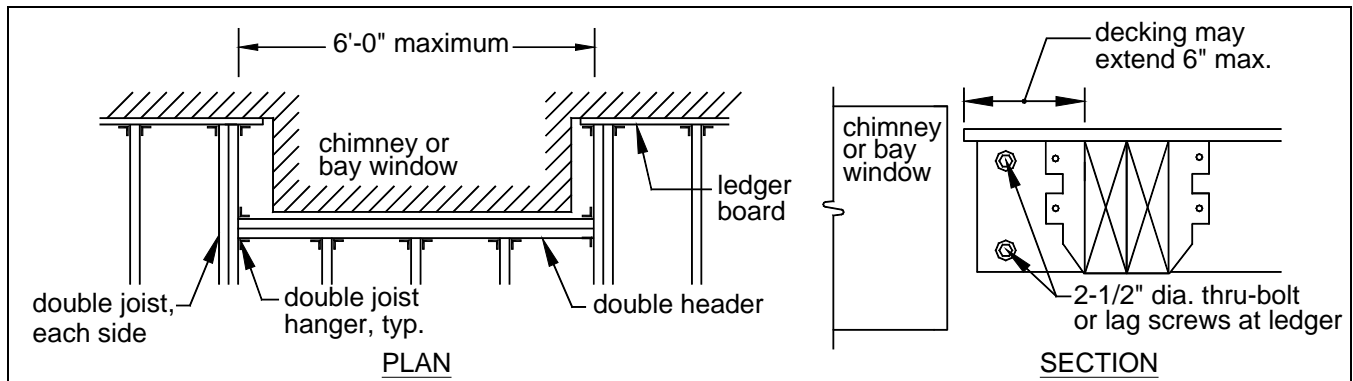


FIGURE 34: REQUIREMENTS FOR FRAMING AT CHIMNEY OR BAY WINDOW



**Gloucester
County**

Typical Deck Details
Based on the 2012 Virginia Uniform
Statewide Building Code