

ICC/ANSI A117.1-2009

(SINGLE USE BATHROOM SIZES DEFINED)

Section 603.2.1 Wheelchair Turning Space: A wheelchair turning space complying with section 304 shall be provided in the room.

Section 603.2.2 Overlap: Clear floor spaces, clearances at fixtures, and turning spaces shall be permitted to overlap.

Section 603.2.3 Doors: Doors shall not swing into the clear floor space or clearance for any fixture. EXCEPTION: Where the room is for individual use and a clear floor space complying with Section 305.3 is provided within the room beyond the arc of the door swing.

Section 304.3.1 Circular Space: The turning space shall be a circular space with 60-inch min. diameter. The turning space shall be permitted to include knee and toe clearance complying with 306.

Section 305.3 Clear Floor Space Size: The clear floor space shall be 48" min. in length, 30" in width.

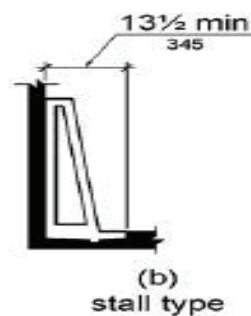
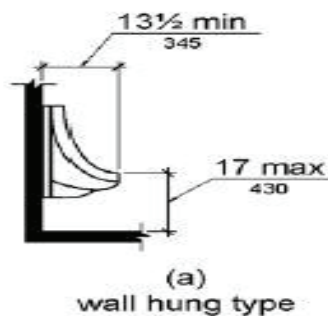
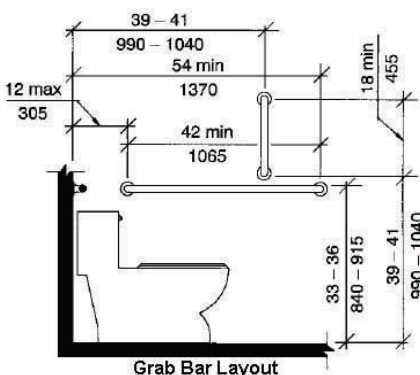
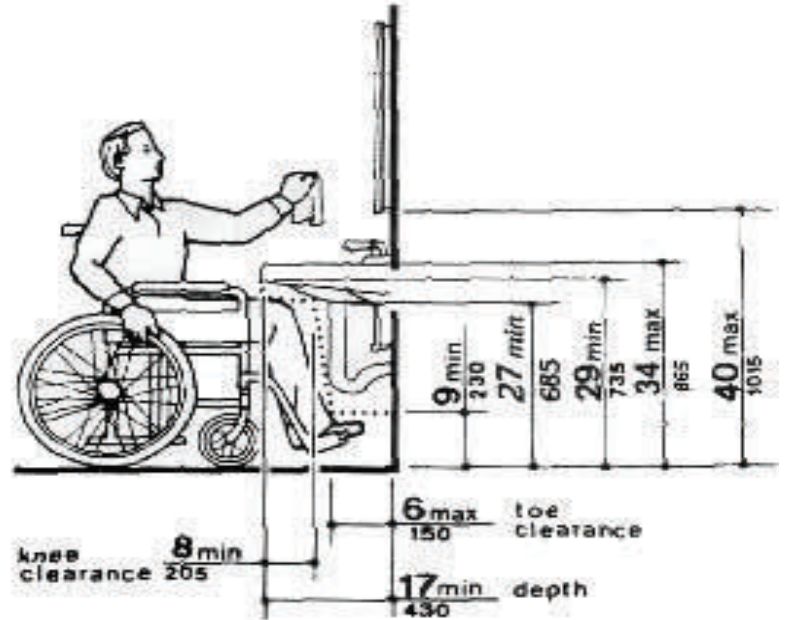
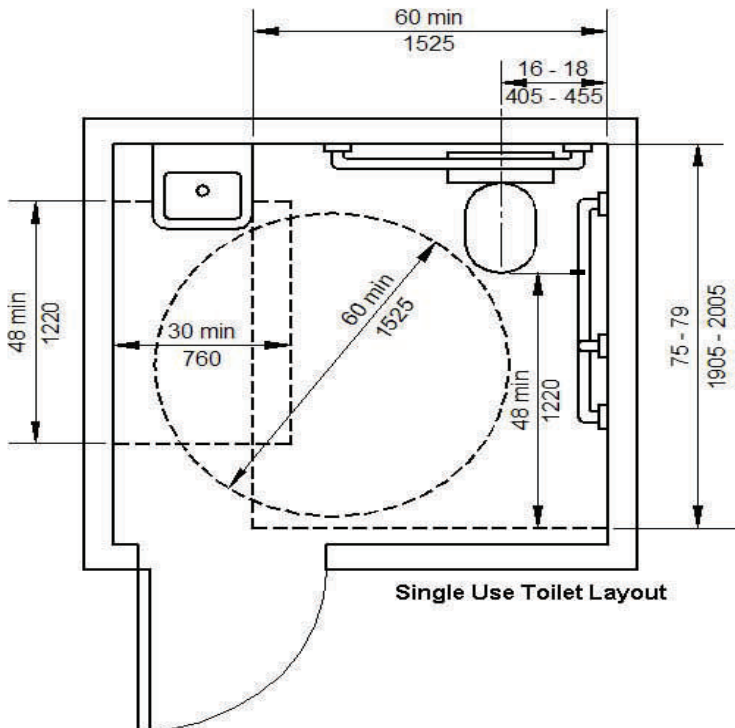
Section 604.2 Water Closet Location: The water closet shall be located with a wall or partition to the rear and to one side. The center line of the water closet shall be 16" min. to 18" max from the side wall or partition. Water closets located in ambulatory accessible compartments specified in Section 604.9 shall have the centerline of the water closet 17" min. to 19" max from the side wall/partition.

Section 604.3.1 Water Closet Compartment Size: A clearance around a water closet 60" min., measured perpendicular from the sidewall, and 56" min., measured perpendicular from the rear wall, shall be provided.

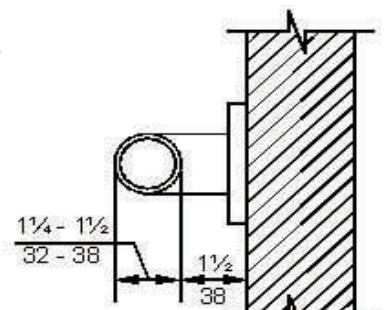
Section 606.2 Clear Floor Space (lavatory): A clear floor space complying with section 305, positioned for forward approach, or parallel approach, shall be provided. Knee and toe clearance complying with section 306 shall be provided. The dip of the overflow shall not be considered in determining clearances.

Section 604.6 Flush Controls: Flush controls shall be hand operated or automatic. Hand operated controls shall comply with Section 309. Flush controls shall be located on the open side of the water closet.

Section 604.4 Height: The height of water closet seats shall be 17" min. and 19" max. above the floor, measured to the top of the seat. Seats shall not be sprung to return to a lifted position and must be of the open front type.



Accessible Urinal



Grab Bar Section