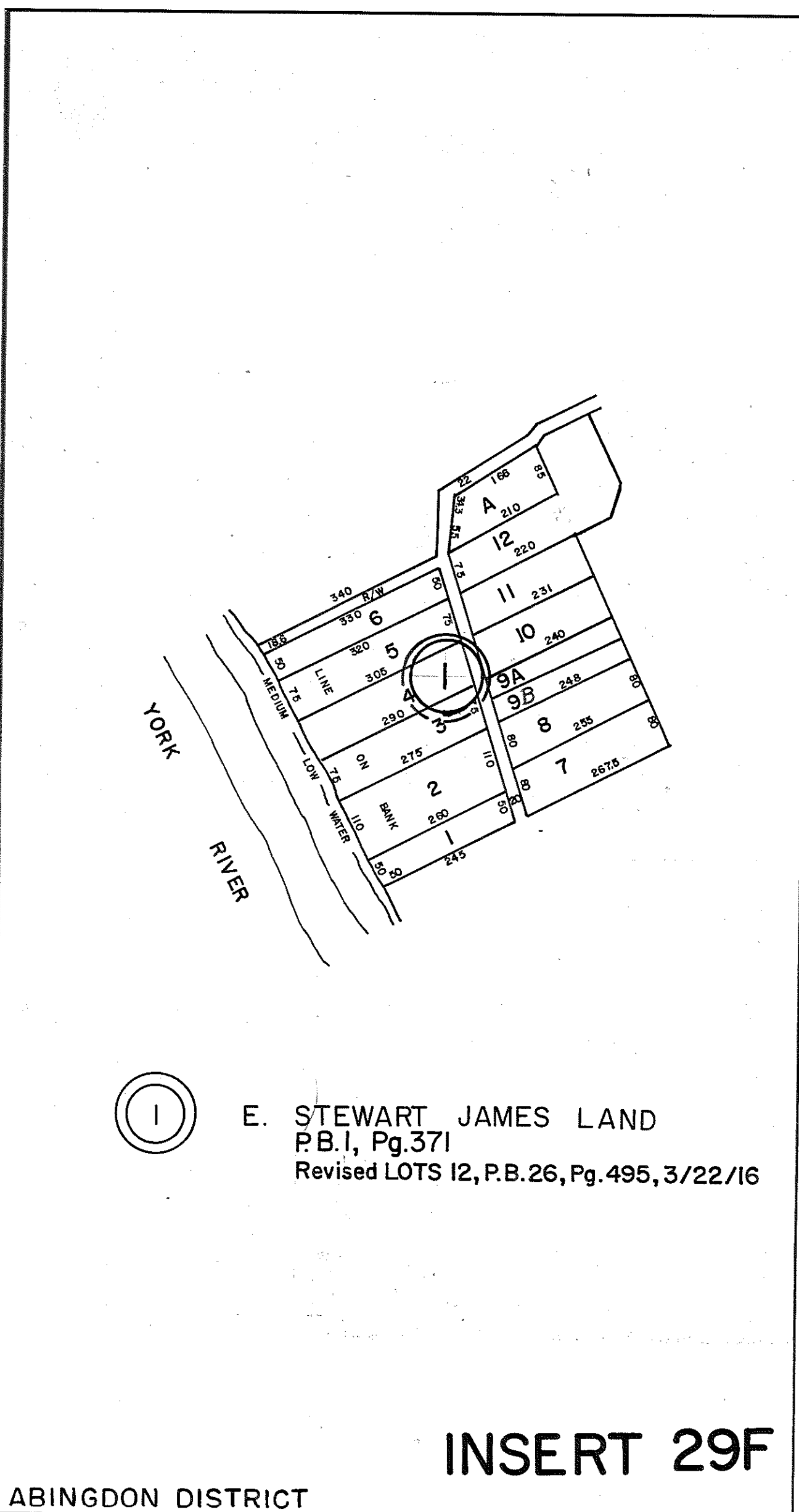
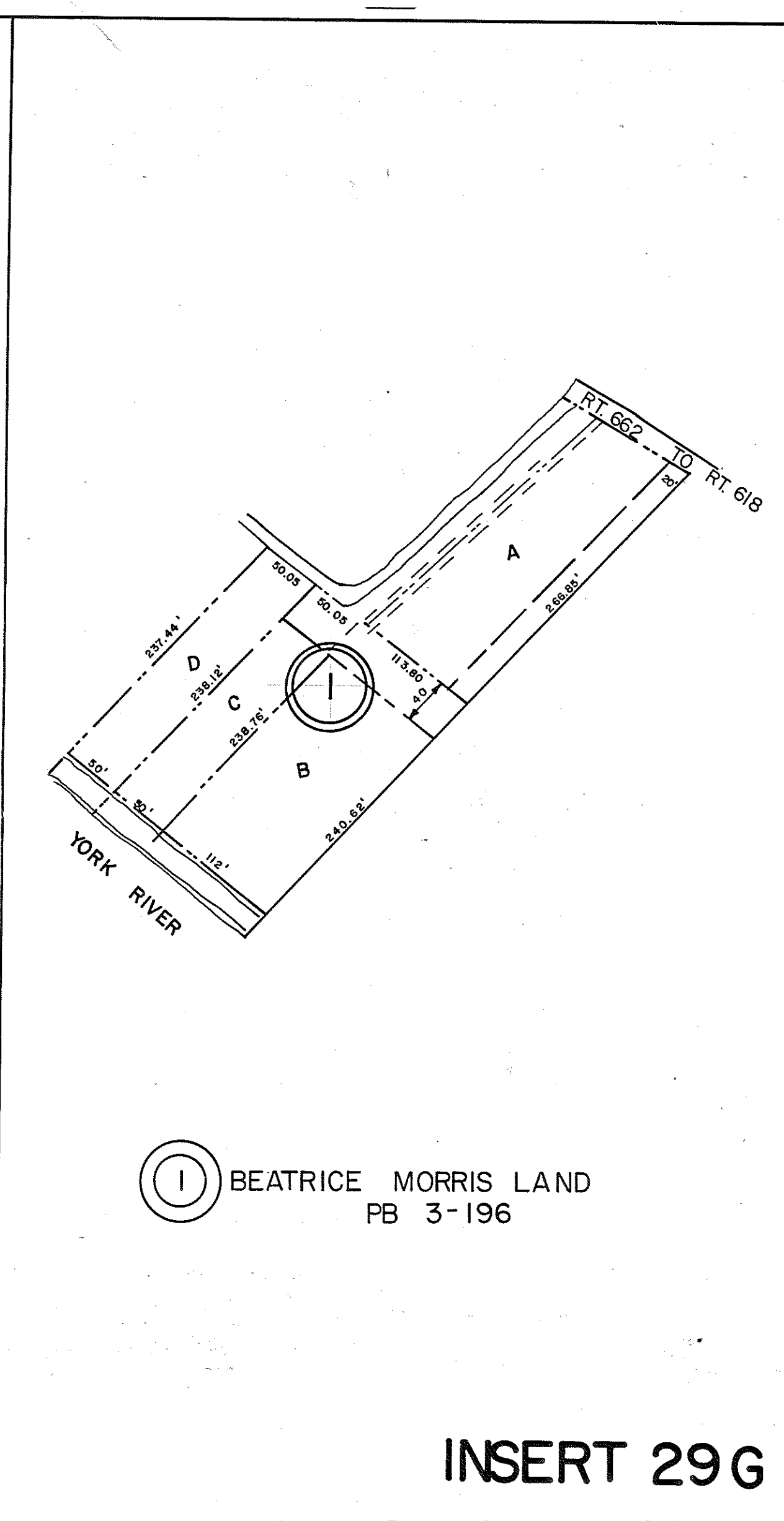


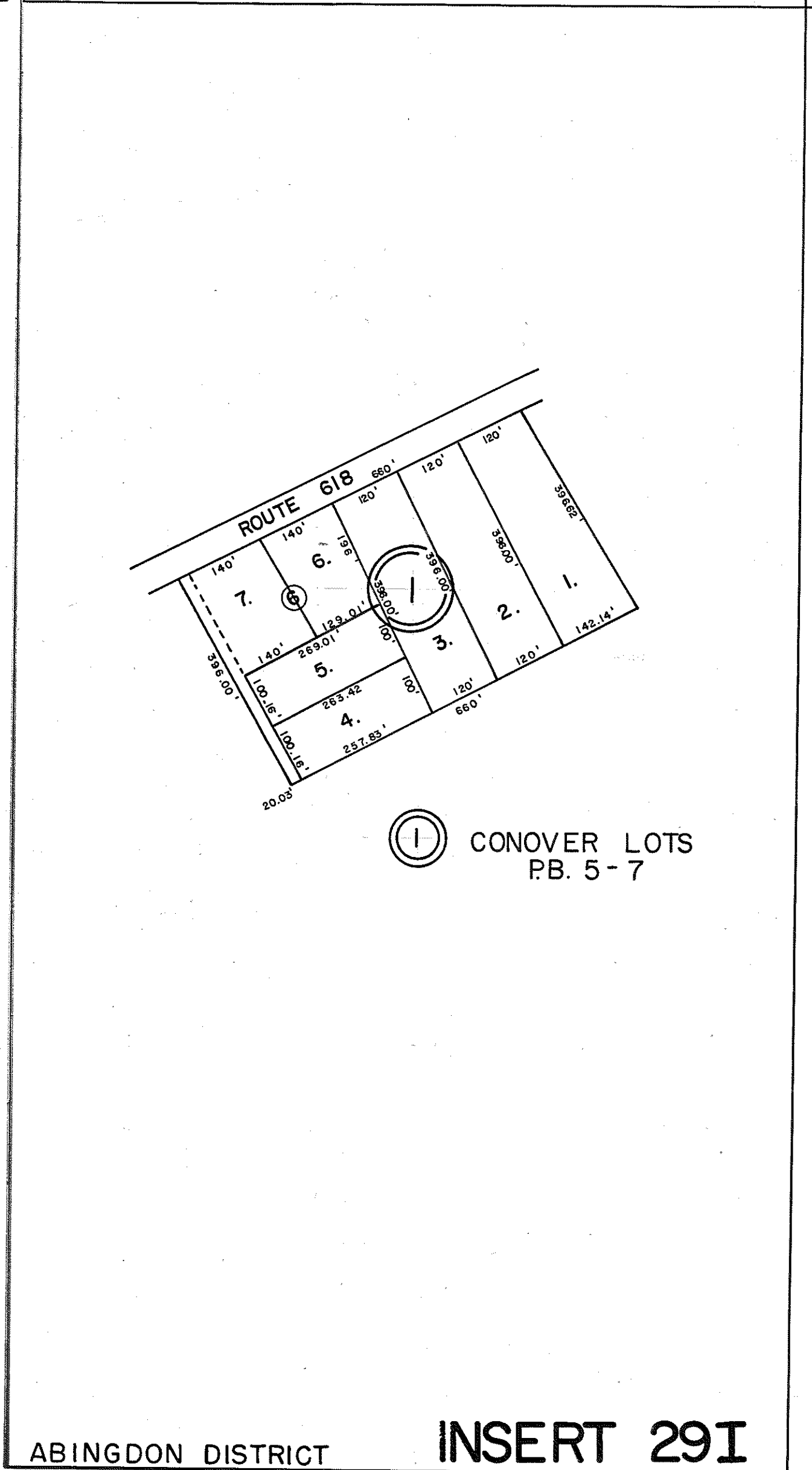
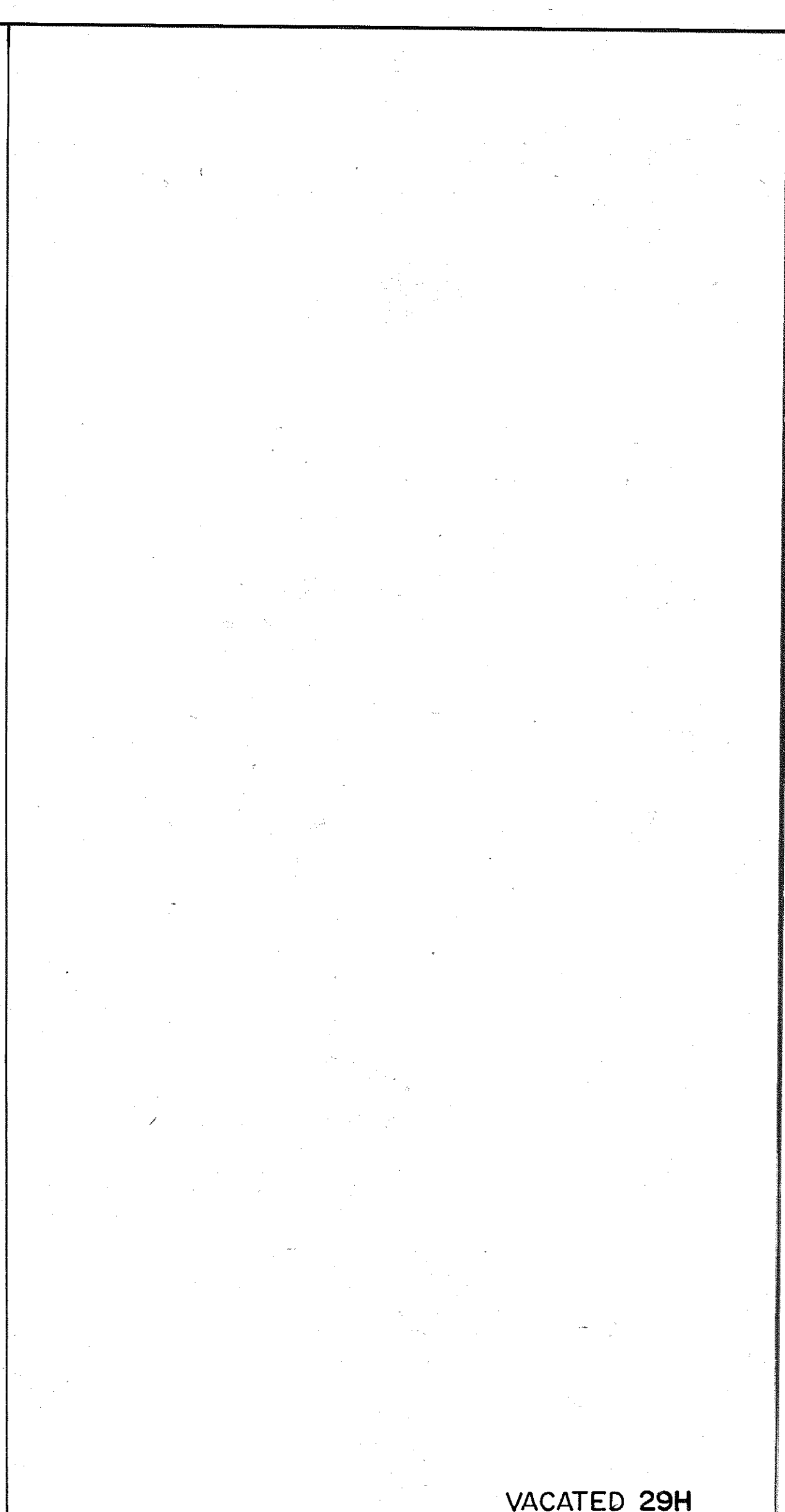
GLOUCESTER COUNTY



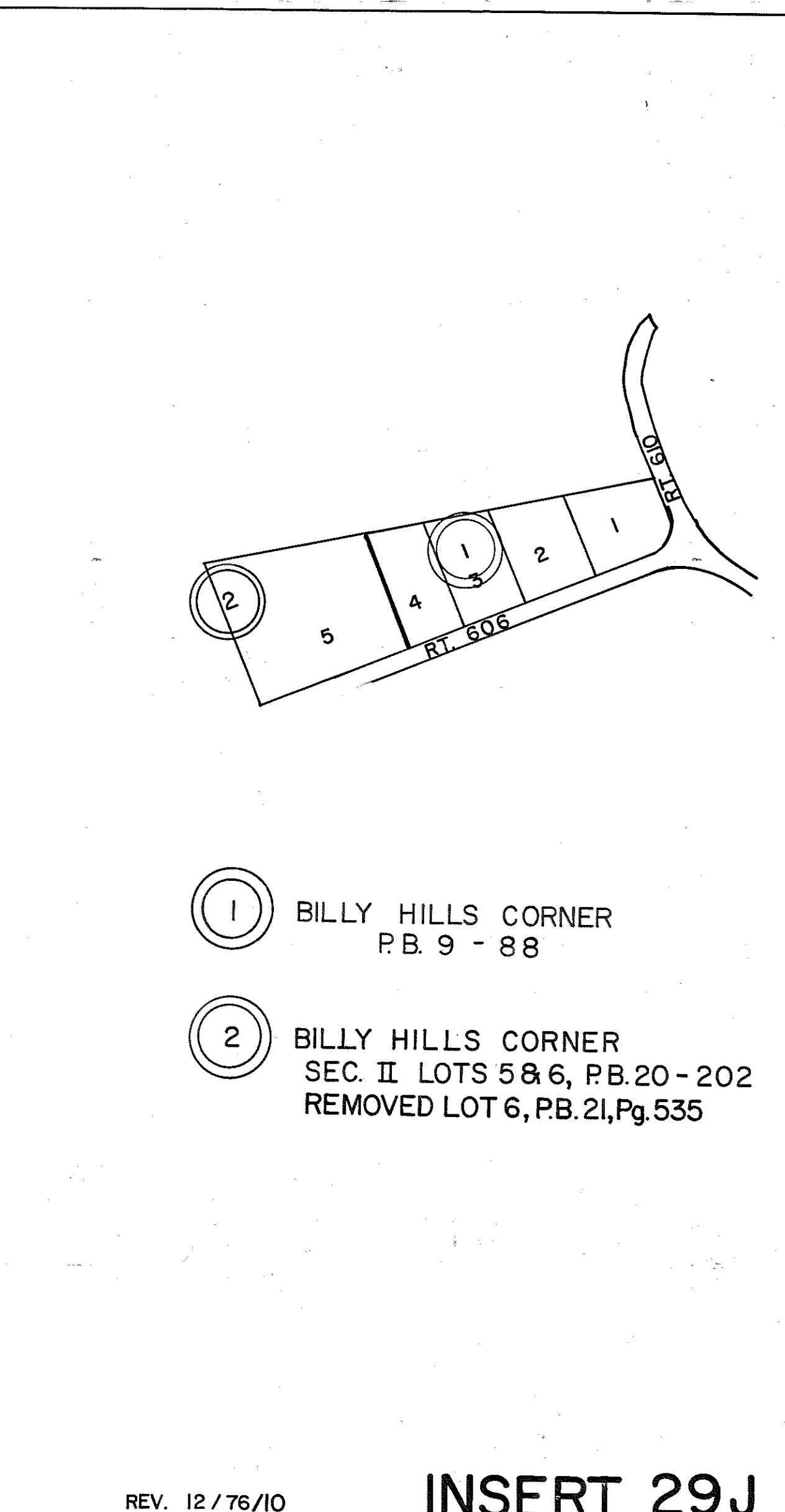
INSERT 29F



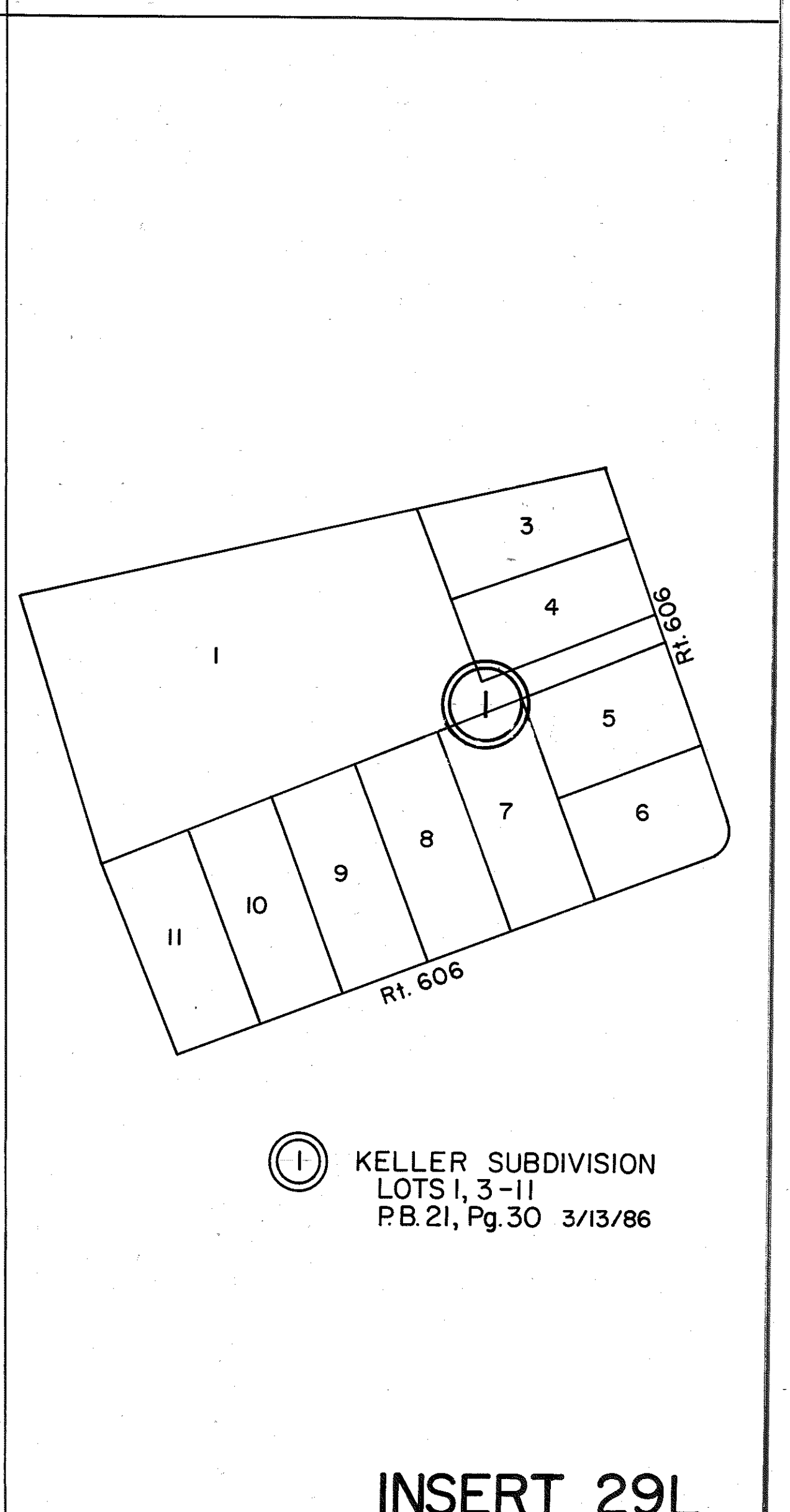
INSERT 29G



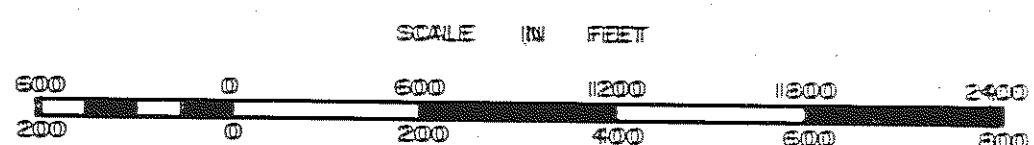
INSERT 29I



INSERT 29J



INSERT 29L



PETSWORTH & DISTRICT
ABINGDON

SECTION
INSERT 29,F,G,I,J,L